



Pump Model - version

K 36/200 T - N.5.- -

Company Name
Contact
Telephone
FAX
E-Mail address

Receiver

From

Serial Number

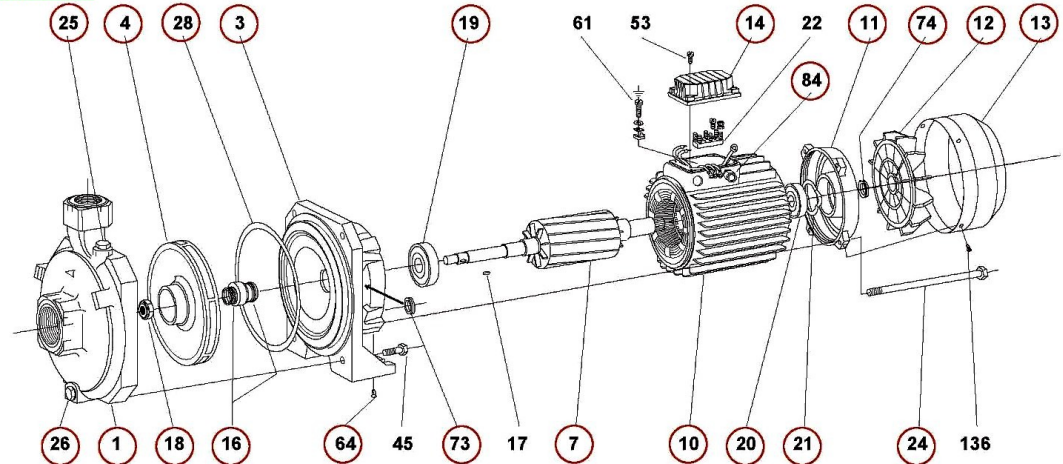
Attention: check the correspondence
with the serial number of the pump.

K 36/200 T - N.5.- - @ 102110070_c

K 36/200 T @ 102110070

Item	Quant	Item no.	Description	Unit pr.
1	1	148120140	SP.P. PUMP BODY	On req.
10	1	130642180	SP. P. MOTOR MEC100 H80 230/400/50-60	On req.
11	1	164050030	MEC 100 MOTOR COVER	On req.
12	1	140280010	FAN MEC100 W/CLAMP	On req.
13	1	164200030	MEC100 FUN COVER ZNT	On req.
14	1	147120431	TERMINAL BOX COVER W/GASKET MEC80-100	On req.
16	1	148621000	COMPLETE MECH.SEAL D.22 ROTEN3	On req.
18	1	002520653	NUT ES LOCK..M14 ZNT 8 UNI7474	On req.
19	1	002310052	BEARING	On req.
20	1	002310049	6206-2Z-C3 D.30X62X16 BEARING	On req.
21	1	002570004	LMKAS D.62A THRUST WASHER	On req.
24	4	167100030	MEC100 M6 X 200 MOTOR TIE ROD	On req.
25	1	168420010	PRIMING PLUG 1/4" BRASS	On req.
26	1	168420010	PRIMING PLUG 1/4" BRASS	On req.
28	1	002225385	OR-4800 202,79X 3,53 EPDM	On req.
3	1	161450050	MOTOR SUPPORT/PUMP	On req.
4	1	150760210	IMPELLER D.170 GFN2	On req.
64	1	002910010	EXHAUST PORT PLUG 7X4X7 POLIET.	On req.
7	1	145000280	SP.P. SHAFT W/ROTOR .	On req.
73	1	002210562	V-RING D.27X7,5H	On req.
74	1	002210562	V-RING D.27X7,5H	On req.
84	1	002740187	CABLE GLAND M20X1,5	On req.

NON INTERACTIVE



Project	Project ID	Created by	Created on 2011-01-11	Last update
---------	------------	------------	--------------------------	-------------